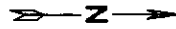
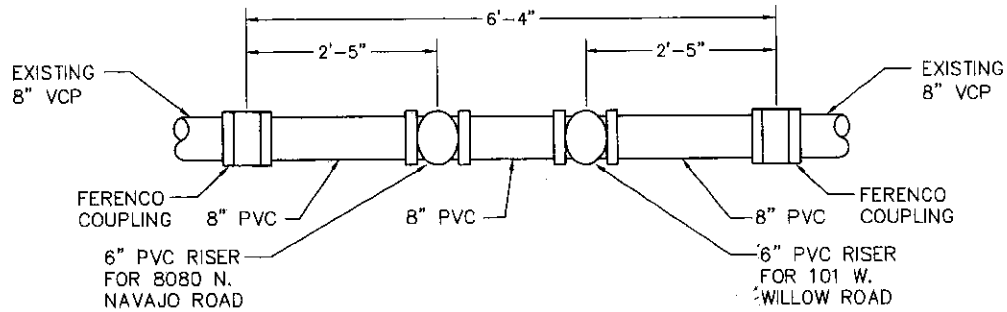


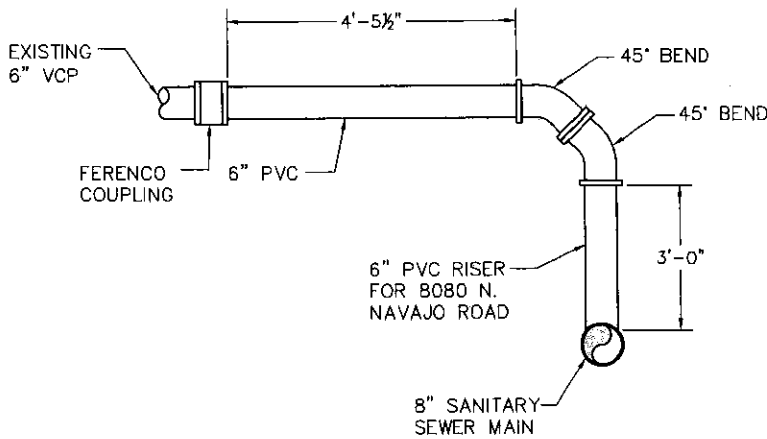
**AS-BUILT**

REVISED TO CONFORM TO  
CONSTRUCTION RECORDS  
NOVEMBER 2009  
BY: YURIY AMELYAN, P.E.  
KAPUR & ASSOCIATES, INC.

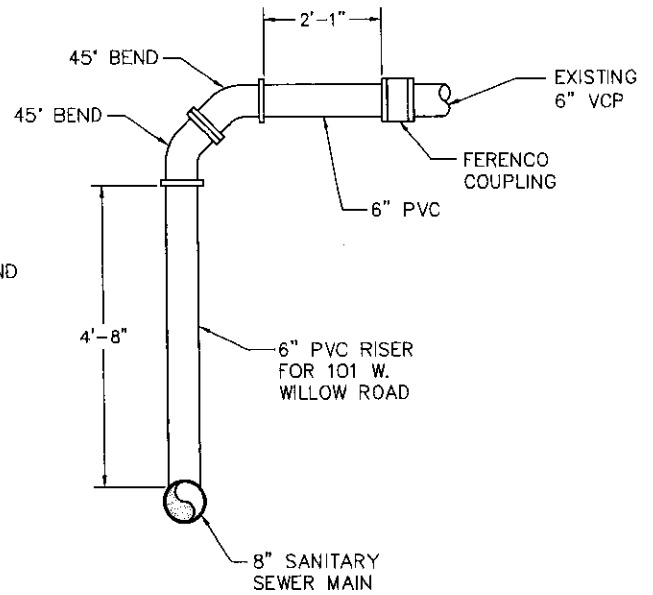
**SPOT REPAIR AT STA. 14+83**



**PLAN VIEW**  
NOT TO SCALE



**SECTION VIEW -  
(LOOKING NORTH)**  
**8080 N. NAVAJO ROAD**  
NOT TO SCALE



**SECTION VIEW -  
(LOOKING NORTH)**  
**101 W. WILLOW ROAD**  
NOT TO SCALE