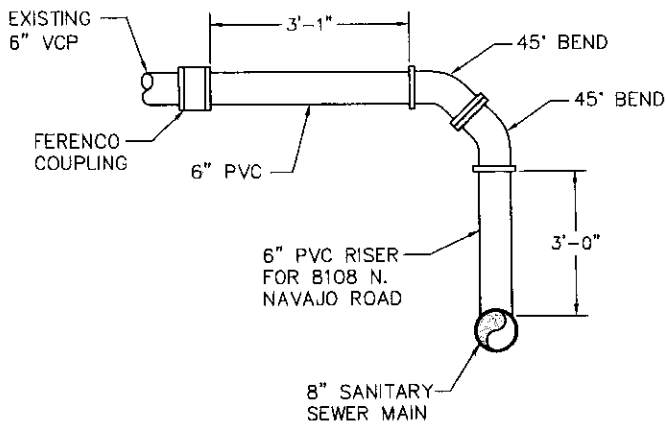
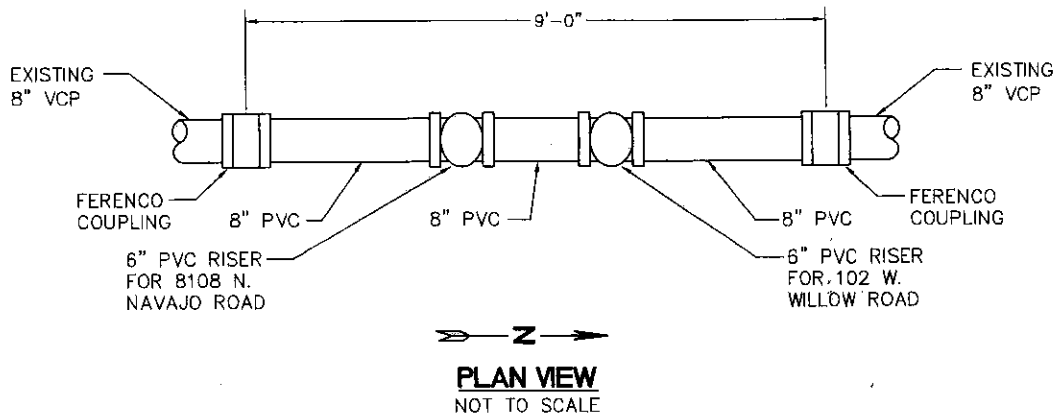


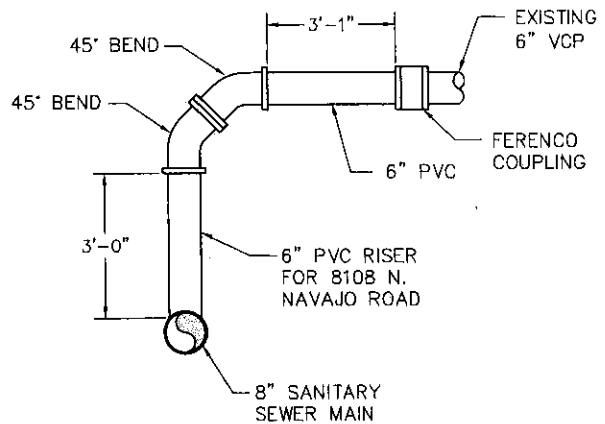
AS-BUILT

REVISED TO CONFORM TO
CONSTRUCTION RECORDS
NOVEMBER 2009
BY: YURIY AMELYAN, P.E.
KAPUR & ASSOCIATES, INC.

SPOT REPAIR AT STA. 15+99



**SECTION VIEW -
(LOOKING NORTH)
8108 N. NAVAJO ROAD**
NOT TO SCALE



**SECTION VIEW -
(LOOKING NORTH)
102 W. WILLOW ROAD**
NOT TO SCALE